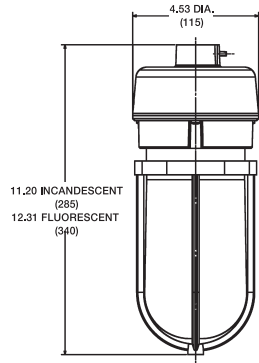


DIMENSIONAL INFORMATION

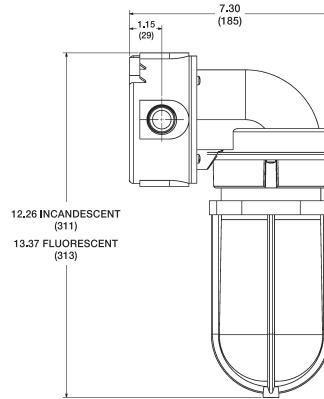
(continued on back panel)



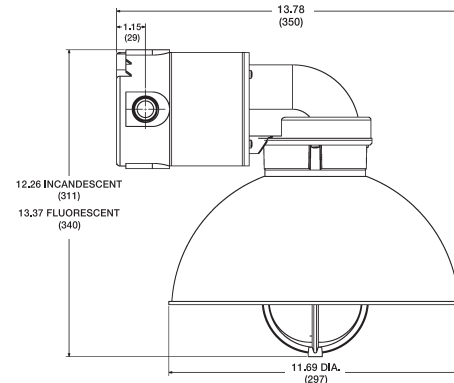
Pendant



Wall



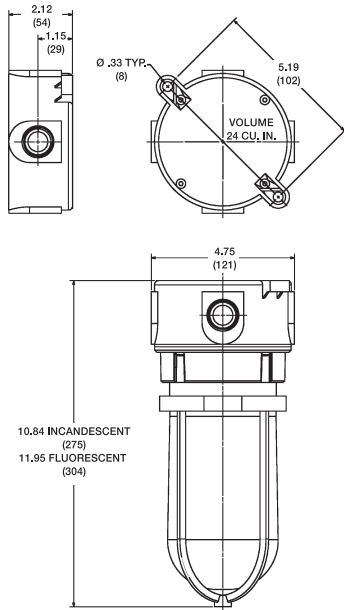
Wall fluorescent with extension and dome reflector



NV2XG Ceiling/Wall Box



Ceiling



KILLARK® ENVIRORITE® II



Incandescent



Fluorescent

NV2
NONMETALLIC

New Design with Expanded Certifications

Wet, Harsh & Hazardous Locations

Distributed by:



NV2 SERIES

Non-Metallic

Class I, Div. 2, Groups A, B, C, D
Class I, Zone 2, Groups IIC, IIB, IIA
Class II, Div. 2, Groups F, G; Class III
NEMA 4X, IP66, Marine Rated



ENVIRORITE® II

Applications

This all new series from Killark is designed specifically for corrosive & wet NEMA 4X harsh environments and hazardous locations.

Typical applications include manufacturing plants, chemical and petrochemical processing facilities, sewage treatment plants, off-shore and dockside installations, agricultural, commercial, industrial, mining and marine facilities.

Features

- NV2 Series non-metallic light fixtures combine an outstanding balance of strength, stiffness, toughness and electrical properties
- Energy & labor saving fluorescent or incandescent models.
- Accessories include polycarbonate dome reflectors and wall extension
- Molded from 30% glass-filled thermoset polyester for high strength
- Resists corrosive effects of most chemicals, hydrocarbons and solvents
- Designed for indoor and outdoor applications

to the following standards:

- UL 1598 Standard for luminaires
- UL 1598 Marine type luminaires
- UL 844 Standard for lighting fixtures for hazardous locations
- CSA C22.2 no. 137-M1981 electric luminaires for use in hazardous locations
- Enclosed and gasketed
- NEMA 3, 4X IP66



KILLARK®

Pendant 3/4" Fixture w/Clear Globe & Guard*			
Type	Standard Globe	Tempered Globe	
150A Incan.	NV2IG15ASG	NV2IG15AHG	
13 W Fluor.	NV2FG13ASG	NV2FG13AHG	
18 W Fluor.	NV2FG18ASG	NV2FG18AHG	
26 W Fluor.	NV2FG26ASG	NV2FG26AHG	
32 W Fluor.	NV2FG32ASG	NV2FG32AHG	
42 W Fluor.	NV2FG42ASG	NV2FG42AHG	
Ceiling 3/4" Fixture w/Clear Globe & Guard*			
Type	Standard Globe	Tempered Globe	
150A Incan.	NV2IG15XSG	NV2IG15XHG	
13 W Fluor.	NV2FG13XSG	NV2FG13XHG	
18 W Fluor.	NV2FG18XSG	NV2FG18XHG	
26 W Fluor.	NV2FG26XSG	NV2FG26XHG	
32 W Fluor.	NV2FG32XSG	NV2FG32XHG	
42 W Fluor.	NV2FG42XSG	NV2FG42XHG	
Wall 3/4" Fixture w/Clear Globe & Guard*			
Type	Standard Globe	Tempered Globe	
150A Incan.	NV2IG15BSG	NV2IG15BHG	
13 W Fluor.	NV2FG13BSG	NV2FG13BHG	
18 W Fluor.	NV2FG18BSG	NV2FG18BHG	
26 W Fluor.	NV2FG26BSG	NV2FG26BHG	
32 W Fluor.	NV2FG32BSG	NV2FG32BHG	
42 W Fluor.	NV2FG42BSG	NV2FG42BHG	

*Notes:

- Tempered Globes are required for Wet Location applications
- All assemblies are unit packed with required components (not assembled)
- Fluorescent unit pack models (only) include the lamp
- Reflector is sold separately. For wall mounting with reflector, the NVEXTG extension is required and sold separately
- Fluorescent models use "world voltage" ballasts for 120VAC through 277VAC 50/60Hz applications

Fluorescent Operating Max. Amps

Type	120VAC	277VAC
13 W Fluor.	.144	.067
18 W Fluor.	.158	.073
26 W Fluor.	.22	.097
32 W Fluor.	.285	.128
42 W Fluor.	.38	.166

Colored Globe Options**

e.g.: NV2IG15ASG-R for Ruby Standard Globe
 or: NV2IG15AHG-R for Ruby Tempered Globe

Suffix and available combinations:			
	Standard Globe	Tempered Globe	
Amber	A	A	
Blue	B	B	
Ruby	R	R	
Green	G	NA	
Purple	P	NA	
Blue-Green	BG	BG	

**Tempered Globes are required for Wet Location applications

Components***

NV2AG	3/4" Pendant splice box
NV2XG	3/4" Ceiling splice box (M20 entry NV2MG)
NV2BG	Elbow (used between NV2XG and Fixture Body)
NV2GG	Guard
NV2IG15	Incandescent Body with socket
NV2FG13	13w Fluor Body 120VAC - 277V 50/60Hz
NV2FG18	18w Fluor Body 120VAC - 277V 50/60Hz
NV2FG26	26w Fluor Body 120VAC - 277V 50/60Hz
NV2FG32	32w Fluor Body 120VAC - 277V 50/60Hz
NV2FG42	42w Fluor Body 120VAC - 277V 50/60Hz
NVPSD12	White Reflector (secured by guard)
NVEXTG	Extension (for wall mount with reflector)
NV2CG	Gray Blank cover for NV2XG
NV2CC	Clear Cover for NV2XG

***See "100" globe selection page L12 of master catalog.

Fluorescent "bodies only" do not include lamps

T-codes @ 40c Max; with or without Reflector						
Globe Type	Class I Div. 2		Class II Div. 2		Minimum Start	
	Clear	Color	Clear	Color	C°	F°
75A	T2C	T2B	T3C	-	-	-
100A	T2A	T2	T3C	-	-	-
150A	T2B	T2	-	-	-	-
13Fluor	T3C	T3C	T4A	T4A	-15	4
18Fluor	T3C	T3C	T4A	T4A	-15	4
26Fluor	T3B	T3A	T4A	T4A	-15	4
32Fluor	T3B	T3A	T4A	T4A	-15	4
42Fluor	T2D	T2C	T4A	T4A	-15	4